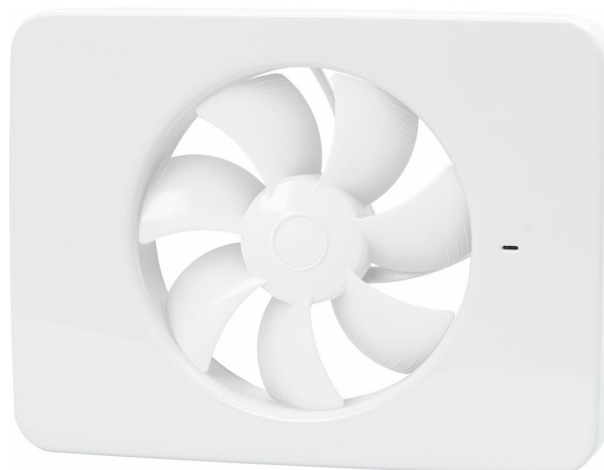


Fresh Intellivent B white

Cat. Part Number 197330

- Intelligent and self-adjusting humidity control
- One model - all the functions
- Quiet - only 21 dB
- Suitable for both wall and ceiling mounting
- Easy to clean by removing the impeller



Intellivent® is a bathroom fan for spaces such as bathrooms, toilets and laundry rooms.

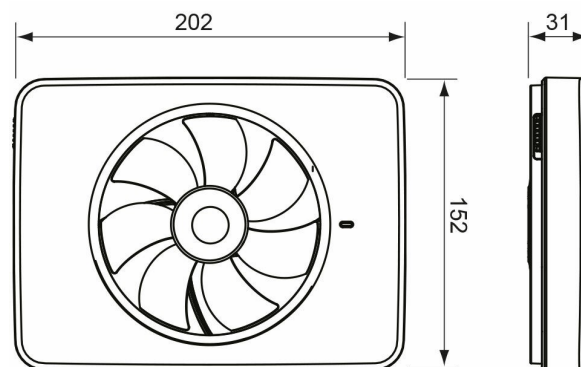
Functions

Intelligent Humidstat, Delay Timer, Run on Timer, Pullcord, Constant Volume, Switch Live

Tecnical data

Installation type, wall, ceiling etc	Horizontal , Vertical
Maximum pressure (Pa)	33
Free to air Max (m3/h)	134
Sound pressure level 3m dB(A)	21
Max watt(W)	5.5
Supply Voltage (12V-400V)	100V AC, 110V AC, 230V AC
Electrical Supply Phase	1-Phase
Insulation Class	II
Type of motor	EC
Protection (IP)	IP 44
Duct size nominal Ø (mm)	100, 120, 125
Unpackaged Product Width (mm)	202
Unpackaged Product Height (mm)	152
Unpackaged Product Depth (mm)	64
Material	Plastic
Plastic Material detail	ABS
Etim Code	EC001141

Meassure sketch/CAD



Description

Intellivent® is available in white and black as standard, several other front cover colours are available as extras. Can be installed in both 100 & 125 diameter channels, a connection adapter for both dimensions is included. Suitable for both wall and ceiling mounting.

One model – all the functions

It couldn't be simpler for the electrician. Intellivent® is only available in one design, packed full of features. Four anchor points and four cable inlets ensure installation is flexible.

Intelligent and self-adjusting humidity control

Intellivent® features an advanced control system with several functions. Fully automatic humidity control, which means the fan learns each family's habits.

Both Ø100 and Ø125 in the same fan

Intellivent® can be connected to exhaust air ducts with a diameter of 98-100mm or 118-125mm using the two adapters supplied with the fan. The adapter for the 125mm duct boosts capacity and further reduces the noise level.

Quiet and strong

Intellivent® is perceived as very quiet with only 21 dB and has a high pressure capacity.

Easy to clean

Intellivent® is easy to clean. Except that the fan is provided with a "swing out" - function that provides free access to the channel, the impeller can easily be removed for cleaning.

More smart features

Quick function for constant operation. Easily choose between timer function and constant operation at the touch of a button. Another smart solution is the automatic circulation function that keeps the bathroom fresh even when no one is home.

Long service life

The motor is a low-energy unit fitted with double ball bearings for a long service life. We are so confident of the quality of Intellivent® that we offer a five year guarantee.

Accessories



**Adapter
Intellivent
Ø98mm, white**

Cat 008466